



1000 Base Dual Port Transformer

P/N: G4803SG



Feature

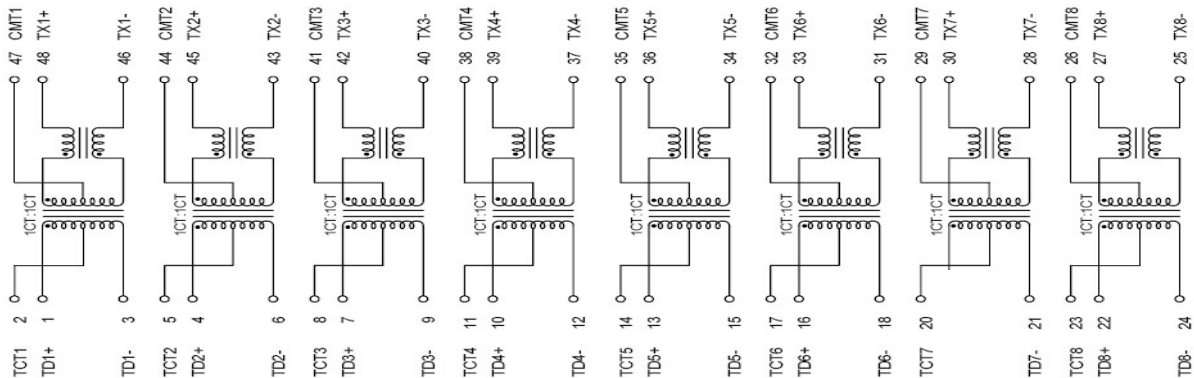
- Designed to meet IEEE802.3ab (Long Haul Gigabit) requirement.
- Operating temperature range from 0°C to +70°C
- Storage temperature range from -25°C to +125°C

Specification

| Electrical Specification @25°C | | | | | |
|--------------------------------|--|---------------------------|------------------------|----------------|------------------|
| Part Number | OCL(μ H min) @ 100KHz/0.2V With 8mA DC Bias | Turn Ratio (\pm 3%) | Cross Talk (dB min) | | Hi-Pot (Vrms) |
| | | | 0.5-40MHz | 40.1-100MHz | |
| G4803SG | 350 | 1CT:1CT | 35 | 33-20log(f/50) | 1500 |

| Electrical Specification @25°C | | | | |
|--------------------------------|----------------------------|-------------------------|----------------|------------------|
| Part Number | Insertion Loss (dB max) | Return Loss (dB min) | | CMRR (dB min) |
| | 0.5-100MHz | 0.5-40MHz | 40.1-100MHz | 0.5-100MHz |
| G4803SG | 1.1 | 18 | 12-20log(f/80) | 30 |

Schematic



Mechanical

