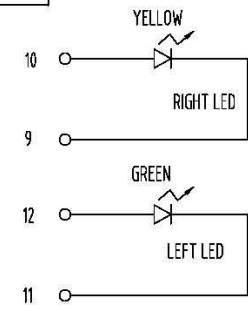
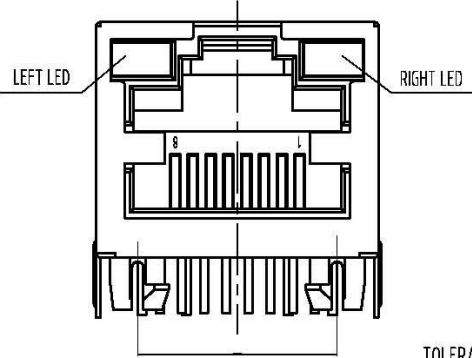
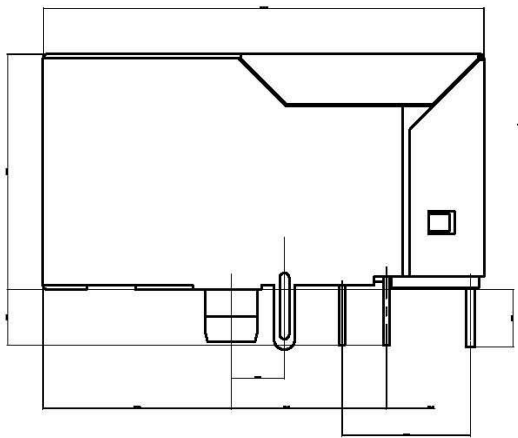
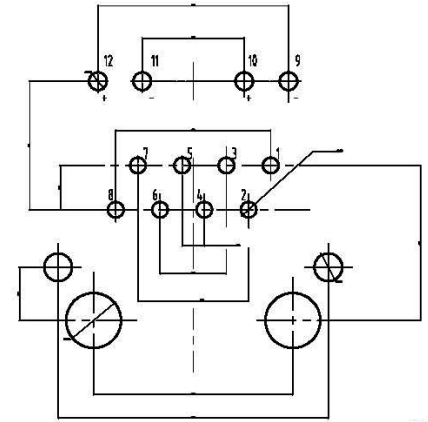
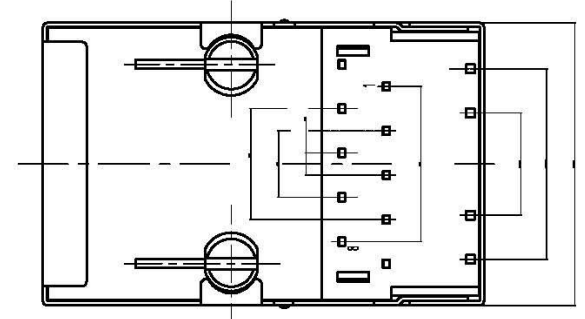


1

2

A

A



TOLERANCES UNLESS OTHERWISE SPECIFIED:  
 0~10±0.15, 10~20±0.2, 20~40±0.25,  
 40~70±0.3, >70±0.4

B

B

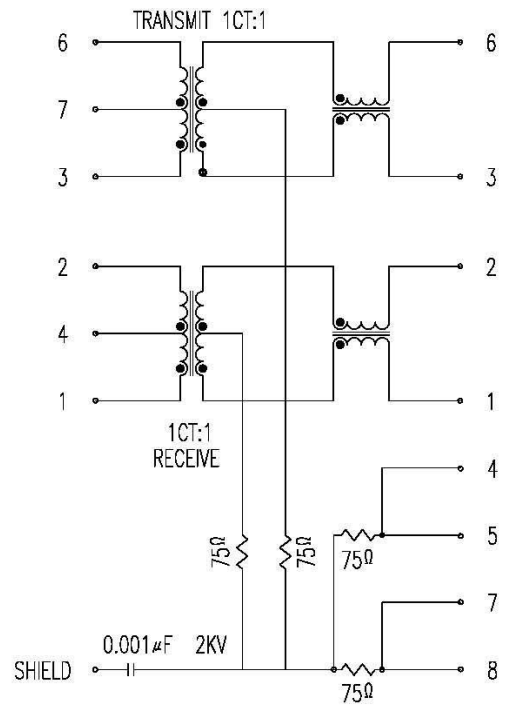
<b>CPTC</b> 喆揚科技有限公司 Compass Power Technology Ltd.		Designed		MATERIAL	双排脚		DESCRIPTION	U50(22)F4-95-P212-B12(TAB UP 1X1 LED)		
FIRST ANGLE PROJECTION		CUSTOMER		Checked	SCALE	30:1	UNIT	mm	MODEL NO.	REV.
										MODEL NO.

1

2

1

2



### SPECIFICATIONS

**ELECTRICAL:**  
 CURRENT RATING: 1.5A  
 VOLTAGE RATING: 125V AC  
 INSULATION RESISTANCE: 500MΩ Mini  
 WITHSTAND VOLTAGE: AC 1500 V RMS 50Hz OR 60Hz 1 Min  
 CONTACT RESISTANCE: 20mΩ Max

**MECHANICAL:**  
 INSERTION FORCE: 2 CONTACTS----350g 4 CONTACTS----500g  
 6 CONTACTS----750g 8 CONTACTS----900g  
 10 CONTACTS----1050g  
 RETENTION STRENGTH: 7.7Kg BETWEEN JACK AND PLUG  
 DURABILITY: 750 MATING CYCLES Mini

**HOUSING:** 1) GLASS FILLED PA66 (UL 94V-0)  
 2) GLASS FILLED PA46 (UL 94V-0)  
 3) GLASS FILLED PBT (UL 94V-0)

**MATERIAL:** SPRING WIRE: 1) 0.45mm DIA PHOSPHOR BRONZE GOLD PLATING OVER NICKEL  
 2) 0.35mm THICKNESS PHOSPHOR BRONZE ALLOY SELECTIVE GOLD PLATING OVER NICKEL

SHIELDING: 0.24mm THICKNESS COPPER ALLOY WITH TIN PLATED  
 GOLD PLATING: 3µ", 6µ", 15µ", 30µ", 50µ"

WORKING TEMPERATURE: -40℃~70℃  
 TOLERANCES UNLESS OTHERWISE SPECIFIED : 0~10±0.15, 10~20±0.2, 20~40±0.25, 40~70±0.3, >70±0.4

### ELECTRICAL SPECIFICATIONS AT 25°C

Insertion Loss dB max	Return Loss dB min				Crosstalk(dB TYP)			Common Mode Rejection (dB TYP)		Hipot(vrms)
	1-30MHz	30- 60MHz	60- 80MHz	60- 80MHz	1-30MHz	30- 60MHz	60- 80MHz	1-50MHz	50-150MHz	
-1.0	-18	-16	-12	-12	-40	-35	-30	-30	-20	1500

<b>CPTC</b> 喆揚科技有限公司 Compass Power Technology Ltd.				Designed	MATERIAL			DESCRIPTION		UNE F4-95	Mark	Date
CUSTOMER				Checked	SCALE			UNIT	mm	DWG NO.	REV.	
MODEL NO.				Approved						B80010009511		

1

2