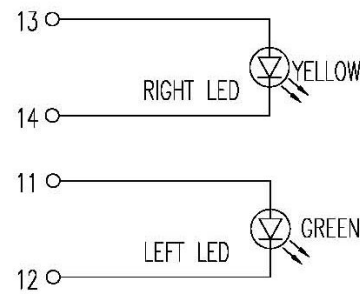
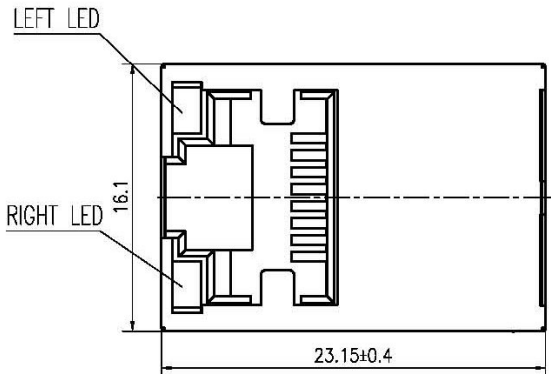
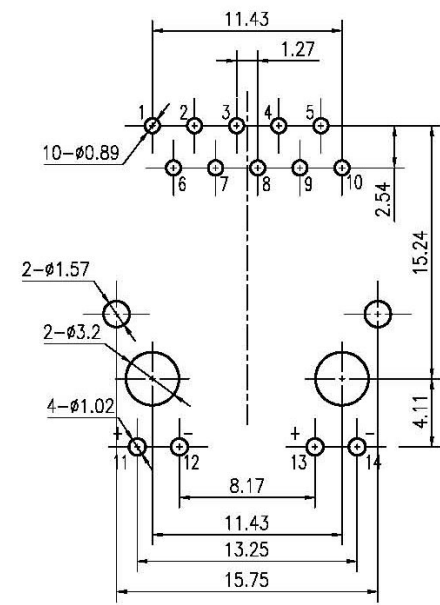
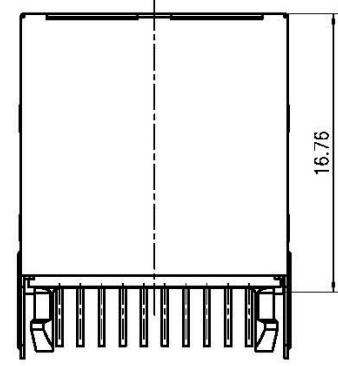
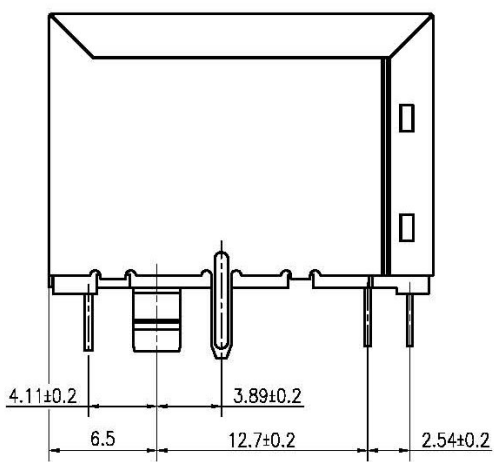


1

2

A

A



TOLERANCES UNLESS OTHERWISE SPECIFIED :  
 0~10±0.15, 10~20±0.2, 20~40±0.25,  
 40~70±0.3, >70±0.4

B

B

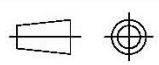
**CPTC** 喆揚科技有限公司  
 Compass Power Technology Ltd.

Designed  
 Checked  
 Approved

MATERIAL  
 SCALE 2.5:1 UNIT mm

DESCRIPTION SEEB-RJ11CZ  
 MODEL NO. B03041009411 REV.

FIRST ANGLE PROJECTION



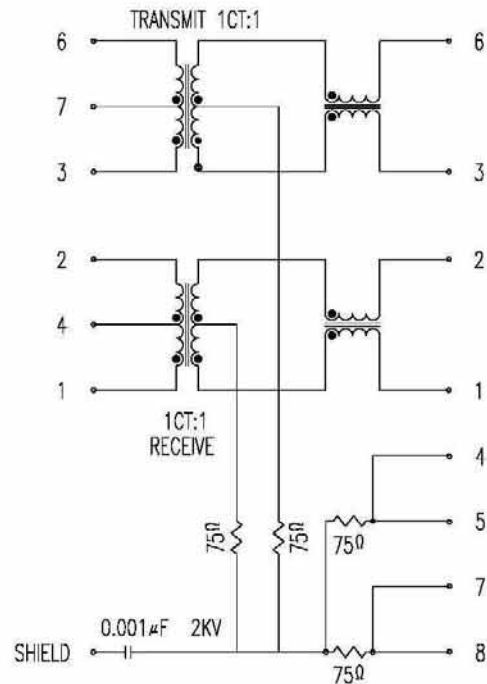
CUSTOMER AQS  
 MODEL NO.

1

2

1

2



## SPECIFICATIONS

ELECTRICAL:	CURRENT RATING:	1.5A
	VOLTAGE RATING:	125V AC
	INSULATION RESISTANCE:	500M $\Omega$ Mini
	WITHSTAND VOLTAGE:	AC 1500 V RMS 50Hz OR 60Hz 1 Min
	CONTACT RESISTANCE:	20m $\Omega$ Max
MECHANICAL:	INSERTION FORCE:	2 CONTACTS----350g 4 CONTACTS----500g 6 CONTACTS----750g 8 CONTACTS----900g 10 CONTACTS----1050g
	RETENTION STRENGTH:	7.7Kg BETWEEN JACK AND PLUG
	DURABILITY:	750 MATING CYCLES Mini
	HOUSING:	1) GLASS FILLED PA66 (UL 94V-0) 2) GLASS FILLED PA46 (UL 94V-0) 3) GLASS FILLED PBT (UL 94V-0)
MATERIAL:	SPRING WIRE:	1) 0.45mm DIA PHOSPHOR BRONZE GOLD PLATING OVER NICKEL 2) 0.35mm THICKNESS PHOSPHOR BRONZE ALLOY SELECTIVE GOLD PLATING OVER NICKEL
	SHIELDING:	0.24mm THICKNESS COPPER ALLOY WITH TIN PLATED
	GOLD PLATING:	3 $\mu$ ", 6 $\mu$ ", 15 $\mu$ ", 30 $\mu$ ", 50 $\mu$ "
	WORKING TEMPERATURE:	-40 $^{\circ}$ C~70 $^{\circ}$ C
	TOLERANCES UNLESS OTHERWISE SPECIFIED :	0~10 $\pm$ 0.15, 10~20 $\pm$ 0.2, 20~40 $\pm$ 0.25, 40~70 $\pm$ 0.3, >70 $\pm$ 0.4

## ELECTRICAL SPECIFICATIONS AT 25 $^{\circ}$ C

Insertion Loss dB max	Return Loss dB min				Crosstalk (dB TYP)			Common Mode Rejection (dB TYP)		HipoI (vrms)
	1-100MHz	1-30MHz	30- 60MHz	60- 80MHz	1-30MHz	30- 60MHz	60- 80MHz	1-50MHz	50-150MHz	
-1.0	-18	-16	-12	-40	-35	-30	-30	-20	1500	

**CPTC** 喆揚科技有限公司  
Compass Power Technology Ltd.

Designed

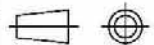
MATERIAL

DESCRIPTION

SEEB-RJ11CZ

Mark

Date

FIRST ANGLE  
PROJECTION

CUSTOMER

Checked

SCALE

UNIT

mm

DWG NO.

B03041009411

REV.

1

2