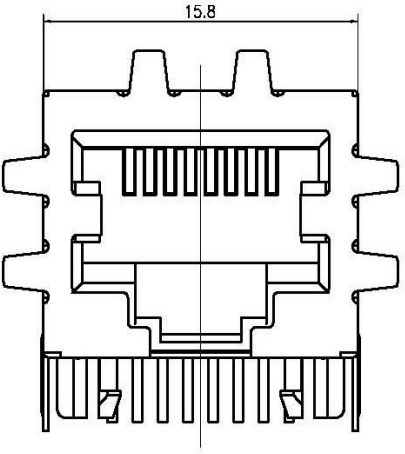
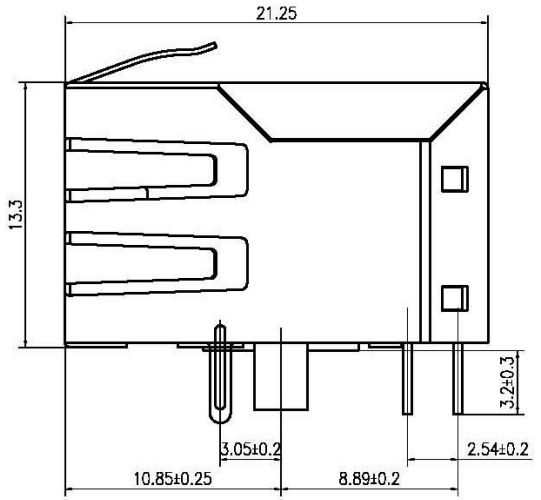
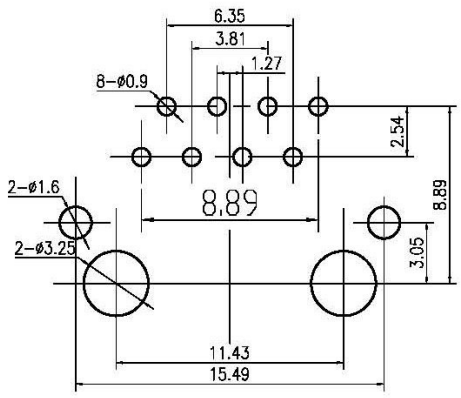
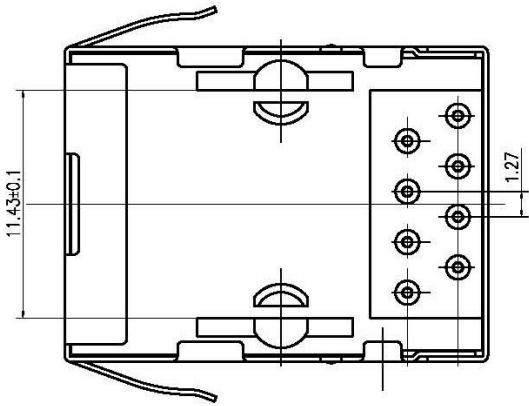


1

2

NOTICE

ELECTRICAL :
 CURRENT RATING:1.5A VOLTAGE RATING: 125V AC INSULATION RESISTANCE:500MΩ Mini
 WITHSTAND VOLTAGE: AC 1500 V RMS 50Hz OR 60Hz 1 Min CONTACT RESISTANCE: 20mΩ Max
 MECHANICAL:
 INSERTION FORCE: 2 CONTACTS----350g, 4 CONTACTS----500g,
 6 CONTACTS----750g, 8 CONTACTS----900g, 10 CONTACTS----1050g ;
 RETENTION STRENGTH: 7.7Kg BETWEEN JACK AND PLUG
 DURABILITY: 750 MATING CYCLES Mini;
 MATERIAL:
 HOUSING: 1) GLASS FILLED PA66 (UL 94V-0), 2) GLASS FILLED PA46 (UL 94V-0)
 3) GLASS FILLED PBT (UL 94V-0)
 SPRING WIRE: 1) 0.45mm DIA PHOSPHOR BRONZE GOLD PLATING OVER NICKEL
 2) 0.35mm THICKNESS PHOSPHOR BRONZE ALLOY SELECTIVE GOLD PLATING OVER NICKEL
 SHIELDING: 0.25mm THICKNESS COPPER ALLOY WITH TIN PLATED
 GOLD PLATING: 3μ", 6μ", 15μ", 30μ", 50μ"
 WORKING TEMPERATURE: -40℃~70℃
 TOLERANCES UNLESS OTHERWISE SPECIFIED : 0~10±0.15, 10~20±0.2, 20~40±0.25,
 40~70±0.3, >70±0.4



A

A

B

B

CPTC 喆揚科技有限公司
 Compass Power Technology Ltd.

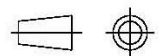
Designed
 Checked
 Approved

MATERIAL

DESCRIPTION

W-A022-F12

FIRST ANGLE PROJECTION



CUSTOMER
 MODEL NO.

SCALE

3:1

UNIT

mm

MODEL NO.

B01021008011

REV.

1

2